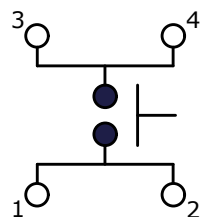


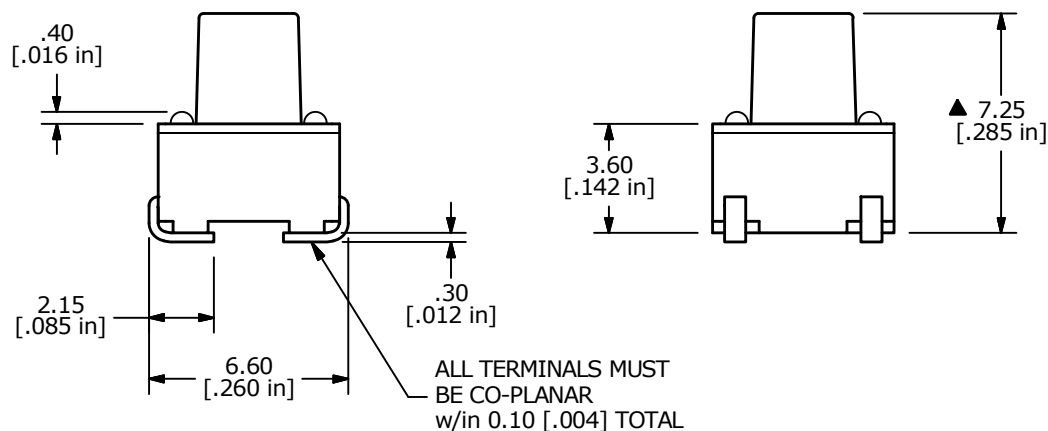
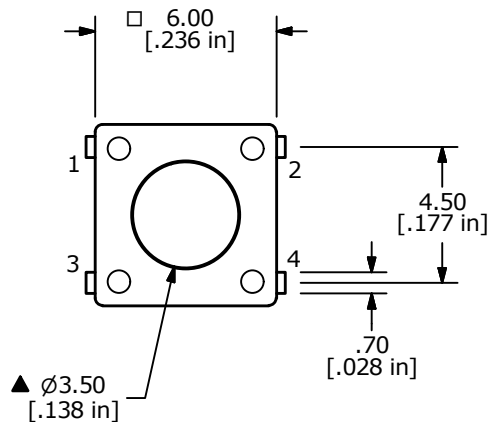
P.C.B. LAYOUT



CIRCUIT: SPST

NOTES:

1. ALL DIMENSIONS IN MM
2. GENERAL TOLERANCE: X.X = ±0.4
X.XX = ±0.25
3. TERM. NUMBERS FOR REFERENCE ONLY.
4. RATING: 50mA @ 12VDC
- ▲ 5. OPERATING FORCE: 160 ±50 gms
6. TRAVEL: 0.25mm +0.2/-0.1
7. CONTACT RESISTANCE: 100 MILLI OHMS MAX. (INITIAL)
8. MECHANICAL/ELECTRICAL LIFE 100,000 CYCLES MIN.
9. CONTACT MATERIAL: SILVER
- ▲ 10. PACKAGE: TAPE and REEL, 750 PCS.
11. ▲ DENOTES CRITICAL PARAMETER
12. OPERATING TEMPERATURE: -40°C to 80°C



D	24070	update drawing, added 2nd description	10/22/19	MW
C	17377	ADDED COPLANAR NOTE	6/11/07	TN
B	17320	1100 PCS TO 750	5/22/07	TN
A	17168	RELEASED FOR PRODUCTION	4/16/07	TN
REV	PCR NO	DESCRIPTION	DATE	BY



TITLE TL3301EF160QJ (TAPE and REEL)				
SCALE	DATE	DR	DWG	REV
4:1	6/11/2007	TN	P010644	D

THE INFORMATION CONTAINED IN THIS DOCUMENT IS PROPRIETARY TO E-SWITCH AND IS NOT TO BE COPIED OR TRANSFERRED